

CDP-CX225

SERVICE MANUAL

*US Model
Canadian Model*

- CDP-CX225 is similar to the earlier CDP-CX200 model.
- Refer to CDP-CX200 service manual (9-960-723-XX) for information not contained in this service manual.

COMPACT DISC PLAYER

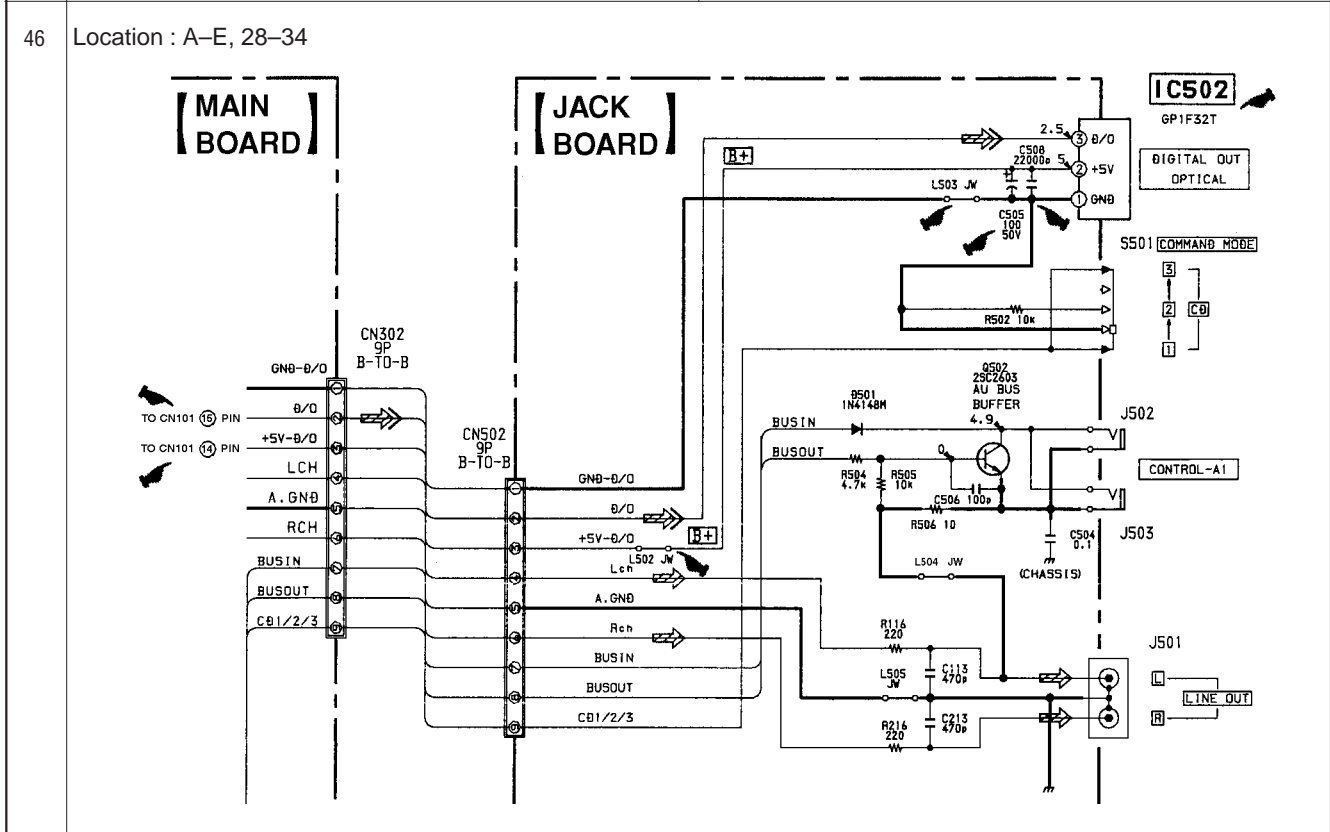
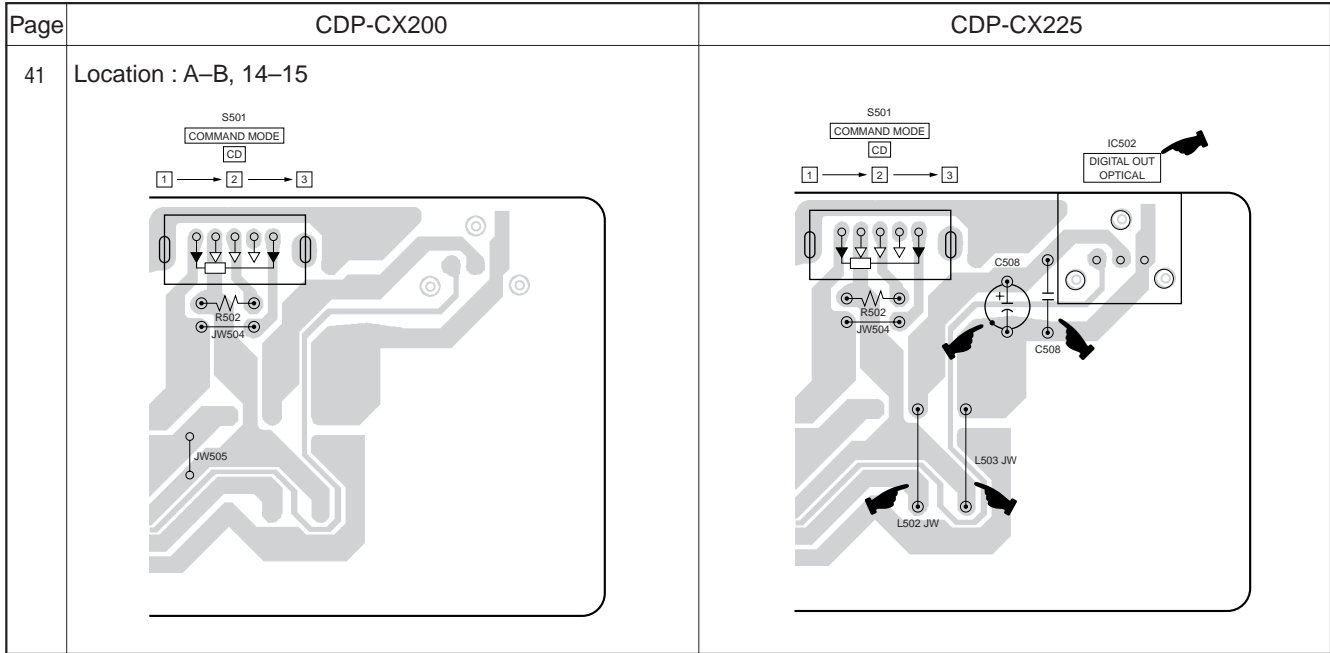
SONY®



DIFFERENCE TABLE

[JACK BOARD]

 : Different portion



Ref. No.	Part No.	Description	Remark	Ref. No.	Part No.	Description	Remark
58		*** JACK BOARD ***				*** JACK BOARD ***	
		< CAPACITOR >				< CAPACITOR >	
		not used		C505	1-126-052-11	ELECT 100uF 20% 50V	
		not used		C508	1-161-494-00	CERAMIC 0.022uF 30% 25V	
		< IC >				< IC >	
		not used		IC502	8-749-921-12	IC GP1F32T (OPTICAL DIGITAL OUT)	

NOTE:

- Items marked “*” are not stocked since they are seldom required for routine service. Some delay should be anticipated when ordering these items.

- Abbreviation
CND : Canadian model

Page	Ref. No.	CDP-CX200			CDP-CX225		
		Part No.	Description	Remark	Part No.	Description	Remark
			*** EXPLODED VIEWS ***			*** EXPLODED VIEWS ***	
50	1	3-363-099-01	SCREW (CASE 3 TP2)		4-210-291-01	SCREW (CASE 3 TP2)	
	7	* 4-982-790-01	PANEL, BACK (US)		4-900-213-31	PANEL, BACK (US)	
		* 4-982-790-11	PANEL, BACK (CND)		4-900-213-41	PANEL, BACK (CND)	
52	101	X-4947-588-1	LID (200) ASSY			NOT USED	
	108	X-4947-216-1	PANEL, ASSY, FRONT		X-4951-410-1	PANEL ASSY, FRONT	
	133		NOT USED		X-4950-039-1	WINDOW (LID) ASSY	
	134		NOT USED		4-983-370-01	LID (R)	
	135		NOT USED		4-982-797-01	SPRING (A), TORSION	
		*** ACCESSORIES & PACKING MATERIALS ***			*** ACCESSORIES & PACKING MATERIALS ***		
62		3-856-765-11	MANUAL, INSTRUCTION (ENGLISH,FRENCH,SPANISH,SWEDISH) (CND)		3-866-297-11	MANUAL, INSTRUCTION (ENGLISH)(US)	
		3-856-765-21	MANUAL, INSTRUCTION (ENGLISH) (US)		3-866-297-21	MANUAL, INSTRUCTION (ENGLISH,FRENCH)(CND)	

